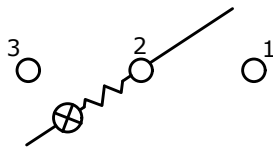
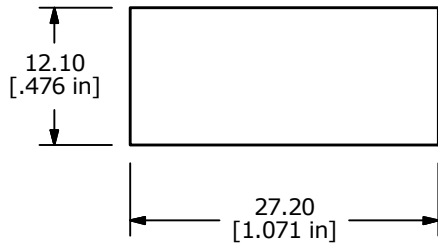


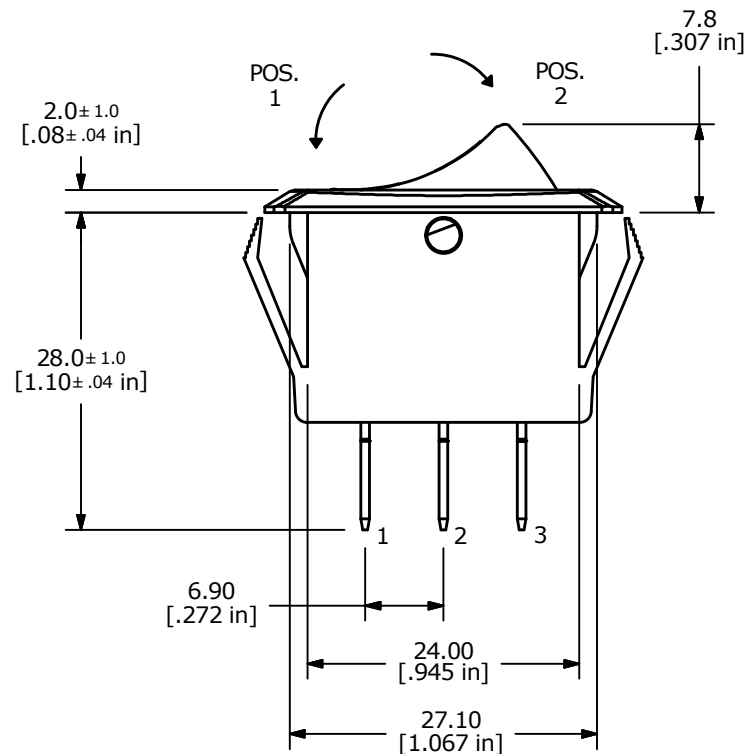
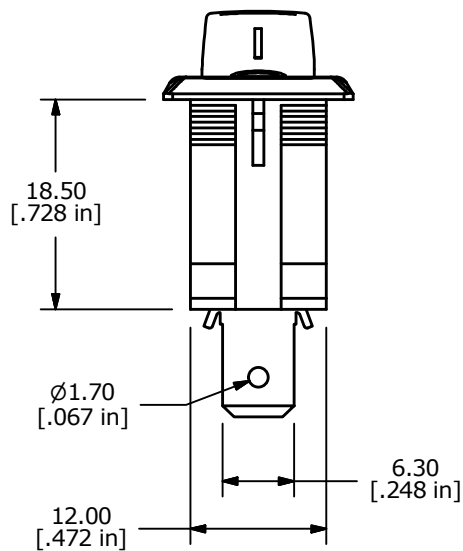
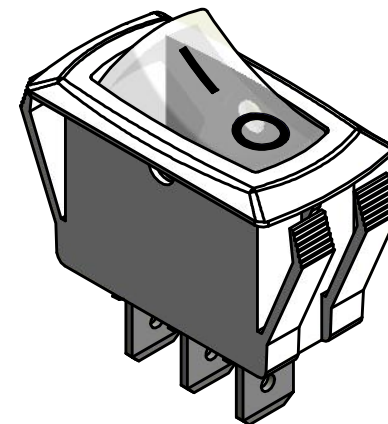
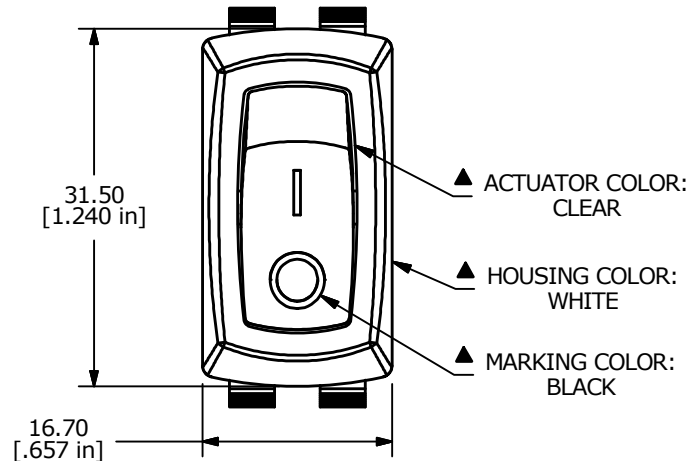
▲ SUGGESTED PANEL CUTOUT



CIRCUIT: SPST
OFF - ON

NOTES:

1. ALL DIMENSIONS IN MM [INCH]
2. GENERAL TOLERANCE: X.X=±0.4
X.XX=±0.25
3. TERM. NOS. FOR REF. ONLY
4. RATING: 20A 125VAC [cURus]
16A 250VAC [cURus]
1/3HP 125/250VAC [cURus]
3/4HP 125/250VAC [cURus]
16(4)A 250V~ 1E4 T85/55 [ENEC, VDE]
20(8)A 250V~ 1E4 T125/55 [ENEC, VDE]
10(2)A 250V~ 5E4 T85/55 [ENEC, VDE]
- ▲ 5. MATERIAL:
CONTACT SURFACE: SILVER PLATED COPPER
TERMINAL: BRASS ALLOY w/SILVER PLATE
6. ELECTRICAL LIFE: 10,000 CYCLES MIN.
7. CONTACT RESISTANCE: 20 Milli-OHMS MAX.
8. OPERATING TEMP: -20°C TO 65°C [cURus]
-20°C TO 105°C [cURus]
0°C TO 85°C [ENEC, VDE]
0°C TO 125°C [ENEC, VDE]
9. DIELECTRIC STRENGTH: >1,000V AC 1MIN
10. LAMP VOLTAGE: 24V BULB
11. ▲ DENOTES CRITICAL PARAMETER.
12. 2011/65/EU (ROHS) COMPLIANT.
13. LENS COLOR, CLEAR



B	23174	UPDATED RATINGS	1/19/18	MJR
A	22410	NEW RELEASE	7/26/16	MJR
REV	PCR NO	DESCRIPTION	DATE	BY

TITLE RSC241D2011-105				
SCALE 3:2	DATE 7/26/2016	DR MJR	DWG 14-RSC241D2011105	REV A

THE INFORMATION CONTAINED IN THIS DOCUMENT IS PROPRIETARY TO E-SWITCH AND IS NOT TO BE COPIED OR TRANSFERRED